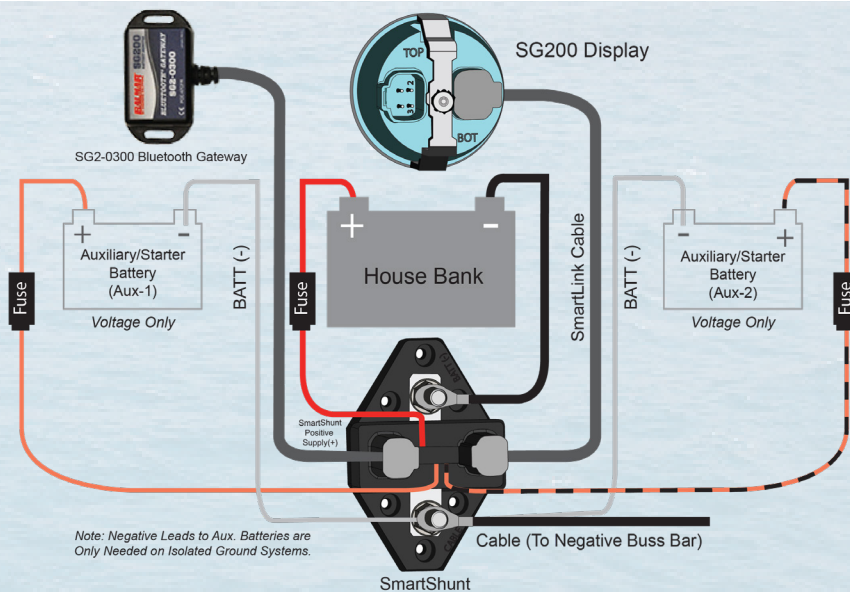


## SG200 Battery Monitor



State of Charge (SoC%)	State of Health (SoH%)	Charge/Discharge Amps	Time Remaining
97% accurate display of your battery's State of Charge after learning batteries.	Proprietary self-calibrating algorithm determines how your battery has aged from its original capacity.	Displays the real-time current flowing in or out of your house battery.	Time remaining until empty when discharging, or time remaining until full when charging.



- Shown here is the standard SG200 configuration wiring, including connections for two Aux/Start batteries.
- The SG210 includes the optional Bluetooth® Gateway in one package
- The SG205 includes the Bluetooth® Gateway, but does not include the 2" Color Display and is appropriate for users who want to monitor their batteries exclusively from the Balmar App.

Part Number	Description	Explanation / Includes
SG200	Battery Monitor Kit, 12V-48V	Standard Unit for Initial Purchase: Includes Color Display, SmartShunt, SmartLink Com Cable
SG205		Includes SmartShunt & Bluetooth Gateway Only (No Color Display)
SG210		Includes Color Display, SmartShunt, Smartlink Com Cable, Bluetooth® Gateway
SG230		Includes N2K SmartShunt & Adapter Cable, Color Display, Com Cable, Bluetooth® Gateway
SG235		Includes N2K SmartShunt & Adapter Cable, Bluetooth® Gateway Only (No Color Display)
SG2-0100	SmartShunt, SG200, 350A, 12V-48V	Add a SmartShunt for Additional Bank: Includes SmartShunt and SmartLink Com Cable
SG2-0130	SmartShunt, SG230, 350A, 12V-48V	Add a N2K SmartShunt & Adapter Cable to Upgrade an Existing SG200 System
SG2-0200	Color Display, SG200, 2 1/16"	Add a Color Display to an existing SmartLink Network
SG2-0300	Gateway, SG200, Bluetooth®	Optional 39" Bluetooth® Gateway for Smartphone App
SG2-0400	Com Cable, SG200, 10m	Optional SmartLink Com Cable (10 meter) for Extensions and MC-618 Connection
SG2-0402	Mounting Plate, SG200	Mounting Adapter from SmartGauge™ to SG200 Display
SG2-0403	Com Cable, SG200, 5m	Optional SmartLink™ Com Cable (5 meter) for Extensions and MC-618 Regulator Connection
SG2-0404	Com Cable, SG200 & MC-618	Optional SmartLink™ Com Cable for MC-618 Regulator Connection
SG2-0405	Com Cable, SG230, NMEA 2000, 12"	Com Cable, SG230 (N2K) & SG240 (RV-C), M12 (DeviceNet), 12"
SG2-0408	Com Cable, 3-Way Adapter	Com Cable, SmartLink™ Connection Extender